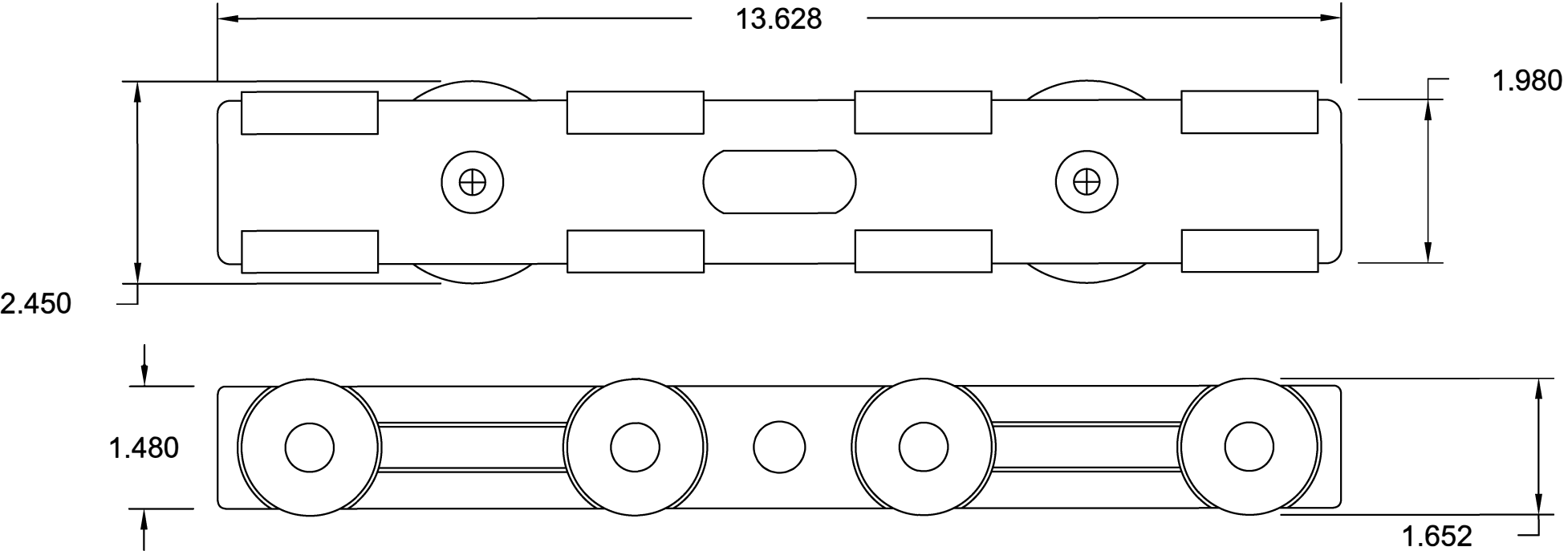


NOTES: 1. Unless otherwise specified, tolerance: +/- .005
2. Material: 6061-T6, 2" Square x 13.75" long.



ALL RIGHTS RESERVED FOR ROTARY GATE SYSTEMS, INC.
THIS DRAWING MAY NOT BE USED OR REPRODUCED IN
PART OR IN WHOLE IN ANY WAY WITHOUT THE EXPRESS
WRITTEN CONSENT OF MICHAEL JONES AND ROTARY
GATE SYSTEMS, INC.

ROTARY GATE SYSTEMS

PART NAME: **TA-200-10**

DRAWN BY:
A MWJ

NONE DATE: 02/27/2014

DO NOT SCALE